

# PHILCO

## WIRELESS RECORD PLAYER.....MODEL RP-3

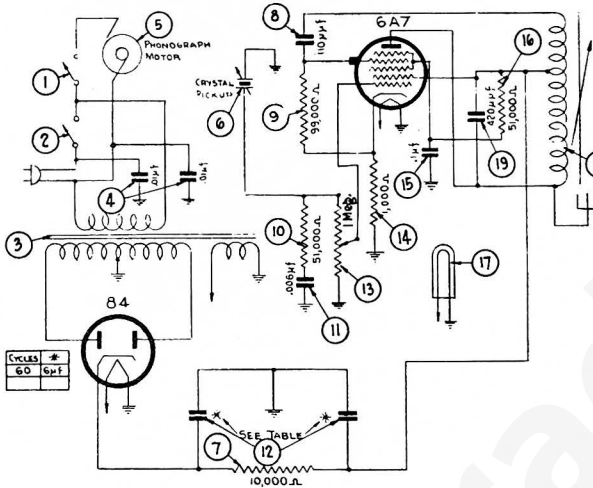
Model RP-3 is a Wireless Record Player, designed to operate through the entire R.F. and audio system of a Radio Receiver. No connections are required between the Wireless Record Player and the Radio. The sound from the record is converted into a radio signal (540 K.C.) and broadcasted to the aerial of the radio set.

This model is equipped with a semi-automatic crystal pickup mechanism which will play either ten inch or twelve inch records. The pickup mechanism automatically places the pickup on the record when the lid of the cabinet is closed. Records can also be repeated by simply opening and closing the lid.

The player is operated from a 115 Volt, 60 cycle A.C. power supply. A volume control is also provided for adjusting the output of the player. Instructions for operating the mechanism will be found in the instruction form part No. 39-6278.

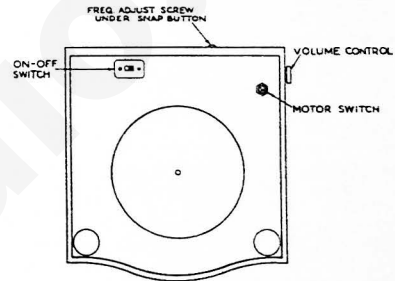
### CHANGING OPERATING FREQUENCY

When the Record Player leaves the factory it is adjusted to operate at approximately 540 K.C. If interference from broadcasting stations is encountered, the frequency of the unit can be changed to any other frequency between 530 K.C. and 580 K.C. by removing snap button and adjusting small screw indicated in diagram. Turning screw clockwise lowers the frequency, counter-clockwise raises the frequency. *This adjustment is best made while the unit is in operation.*



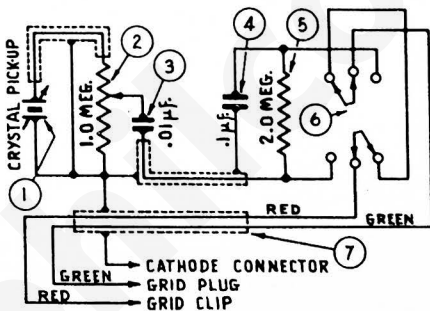
No definite rule can be established for the relative location of the record player to a radio; individual trial will establish the best location. However, in general, satisfactory operation may be obtained up to a distance of fifty (50) feet, provided local noise conditions are not too severe.

If hum is experienced it may be necessary to reverse the power plug of the record player, the radio, or both. In some cases it may be advisable to use the same receptacle for record player and radio.



See Page 81 for Replacement Parts

## PHONOGRAPH.....MODEL 10-RP



SCHEMATIC DIAGRAM MODEL 10RP

### REPLACEMENT PARTS

1	Crystal Cartridge.....	415-1027
2	Volume Control.....	33-5329
3	Condenser (.01 mfd., 200 V.)...	30-4581
4	Condenser (.1 mfd., 200 V.)....	30-4586
5	Resistor 2 megohm.....	33-620339
6	Switch (Radio-Phono)	
7	Cable	
	Motor 115 volts, 60 cycle.....	35-1174
	Turntable.....	35-3023

Model 39-10 RP is a phono-graph attachment for connecting to a radio receiver and consists of a semi-automatic crystal type pick-up and turntable designed for operation on 110 volts, 60 cycles alternating current (A.C.). For operation on special power supplies, it is necessary that the turntable motor be changed.

The replacement parts and circuit diagram of the phono-graph is shown here.

This model is connected to the 2nd detector-1st audio tube of any radio receiver. Installation instructions are listed below.

Three permanent external connections are necessary to adapt this instrument to a radio receiver:

1. After removing 2nd detector-1st audio tube, clip "A" is to be slipped over cathode prong of tube. Make sure that this lead is at no place touching chassis, tube shield or any metal part of chassis pan. (If tube shield base does not permit clearance for this clip, slightly bend shield base to allow installation.)

2. Remove grid cap from top of 1st audio tube and insert stud "B" in this chassis grid clip. A small piece of insulating rubber is provided in needle set screw bag, which may be slipped over this connection to make sure this connection does at no point touch any metal parts of chassis pan, tube shields, etc.

Clip "C" is to be placed on top connections of 1st audio tube and is of universal nature so as to fit any tube type. One end for small top tube connection and other end for large top tube connection.